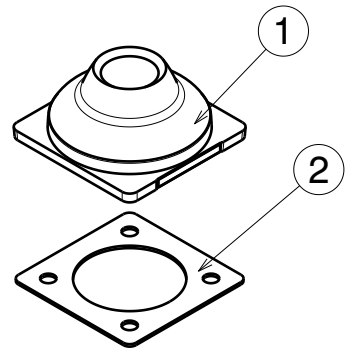
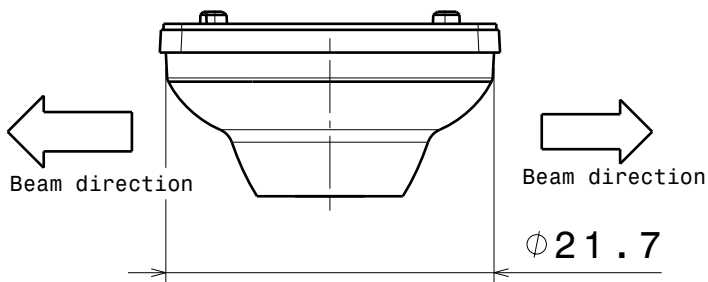
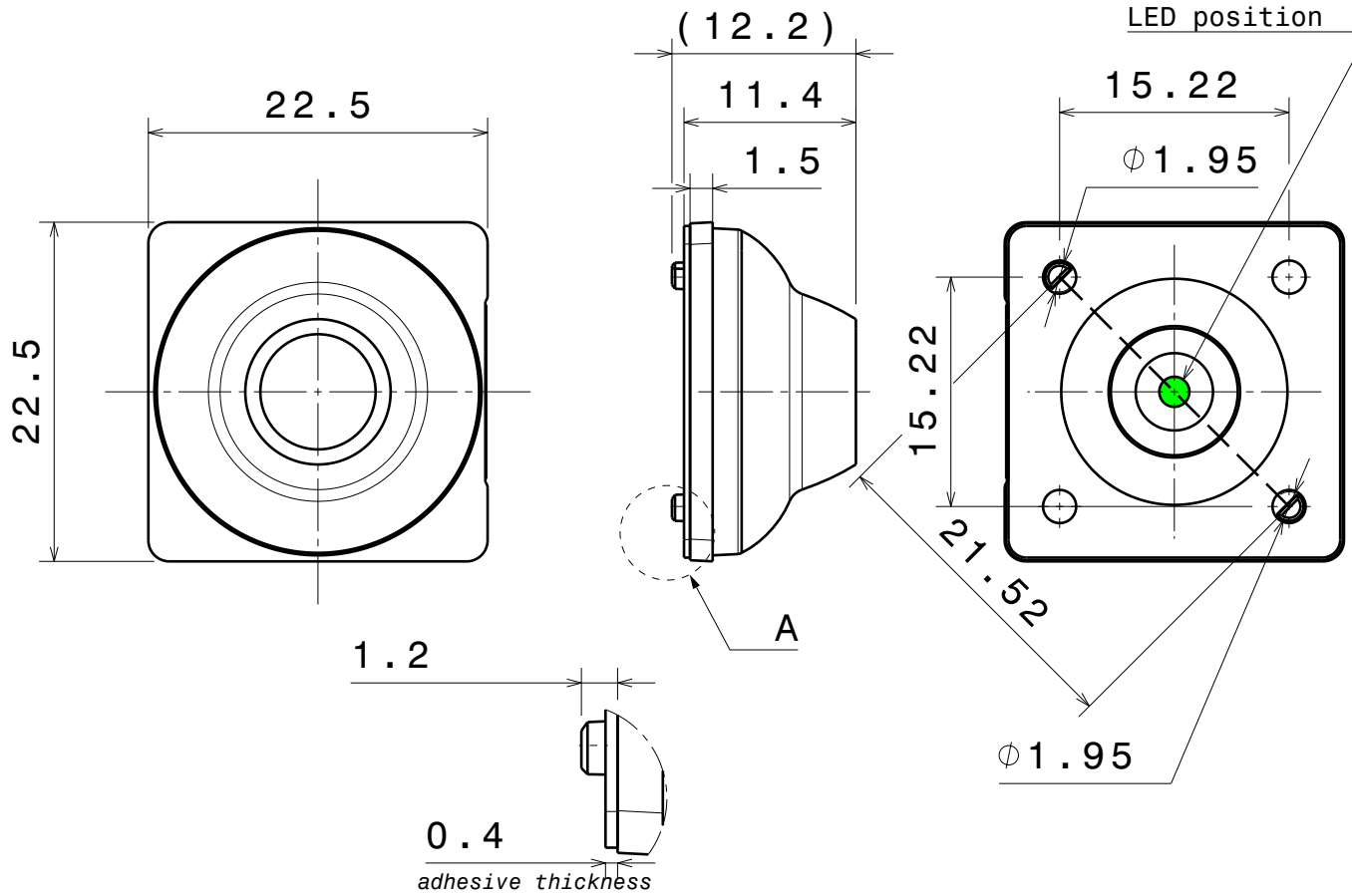


DATE
26.06.2024



CA15902_VERONICA-SQ-SE

COMPONENTS

INDEX	PART	TYPE	MATERIAL	COLOR / COATING
1	C15901_VERONICA-SQ-SE	LENS	PMMA	Clear
2	C16105_VERONICA-TAPE	TAPE	Adhesive	

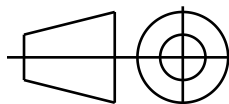
MECHANICAL DRAWING

PRODUCT
VERONICA

LEDiL

Plastic moulding general tolerances according to DIN 16901-130 and applies if not otherwise shown in the drawing. Silicone moulding general tolerances according to ISO 3302-1 Class M3 and applies if not otherwise shown in the drawing.

FIRST ANGLE PROJECTION:



This drawing is the property of LEDiL Oy. It may not be copied or otherwise distributed without prior written permission from LEDiL Oy.

SCALE 2:1

WEIGHT 2.75g

A4 SHEET 1/1

D

A